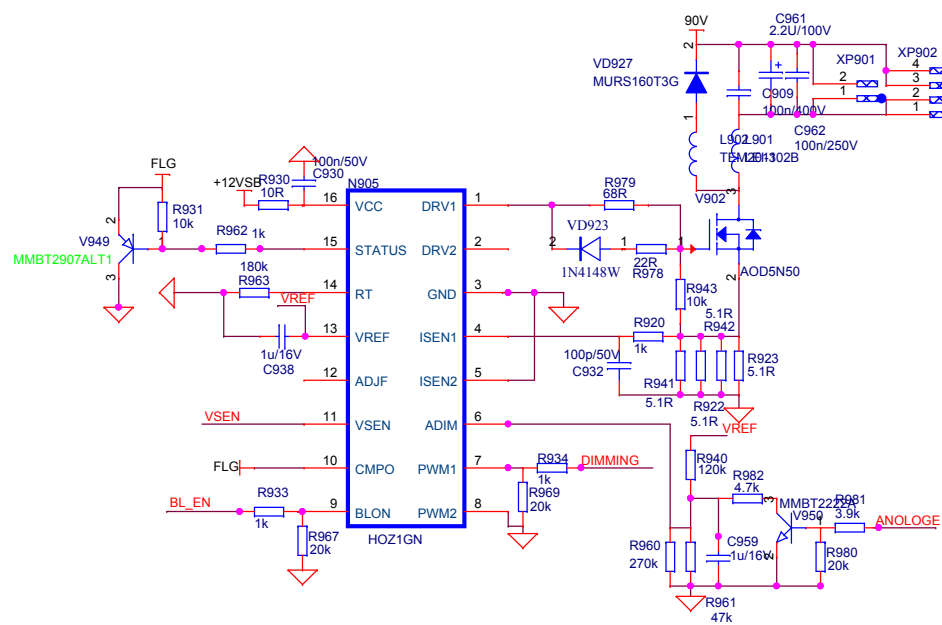
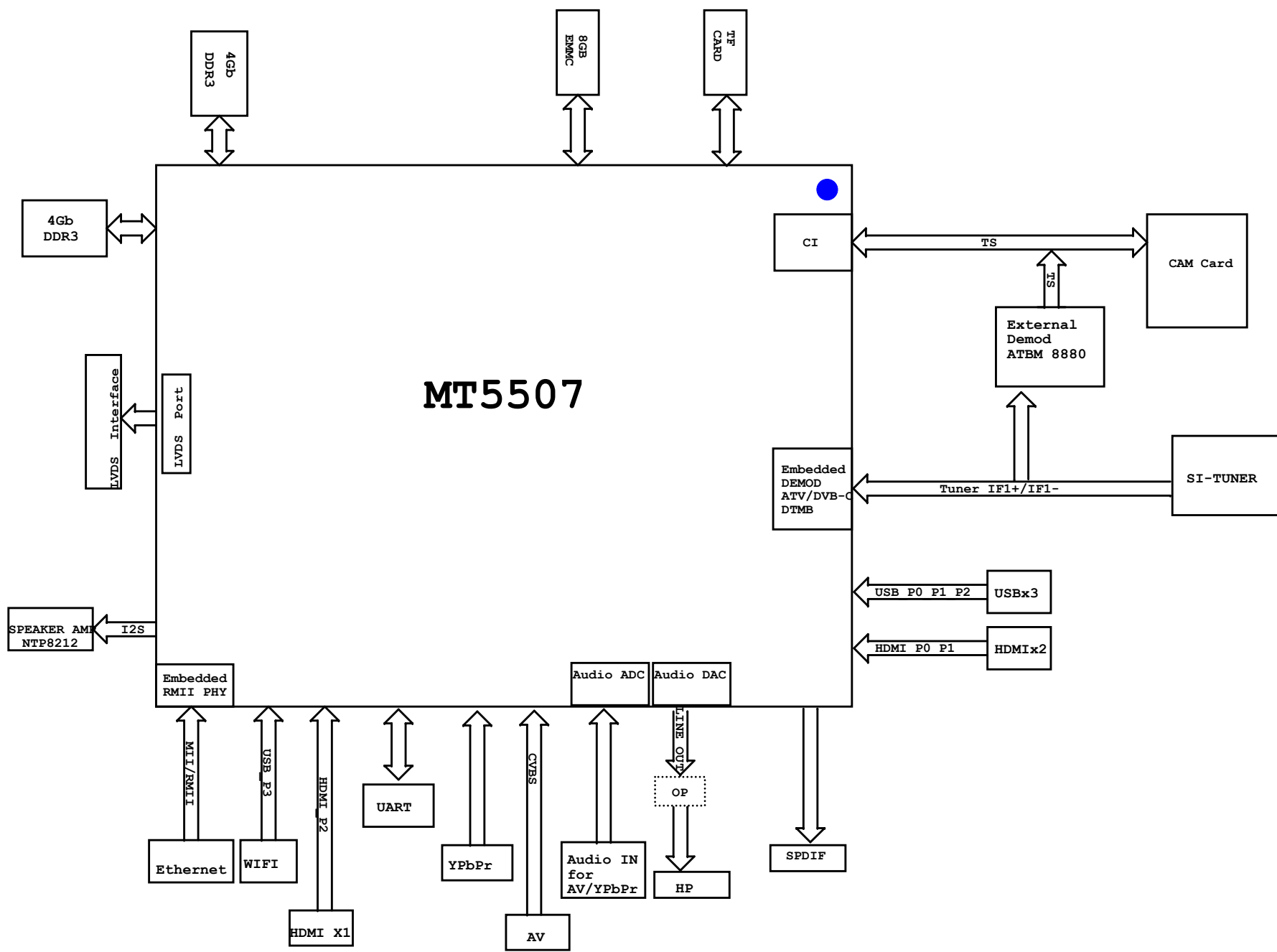


- 4.15 BL_ON/OFF <<> BL_EN
- 4.15 BL_ADJUST <<> DIMMING
- 4.15 SCAN-PWM-OUT <<> ANOLOGE
- 4.15 +12V_IN <<> +12VSB



Title	<Title>	Rev	<Rev Code>
Size	Document Number		
C	<Doc>		
Date:	Monday, August 17, 2015	Sheet	1 of 1



GPIO LIST

PCBA version ID: PCB Number 6510 VER:A

PIN NAME	Function define	GPIO Function	GPIO Number	Action
CI_A0	CI Interface	CI_A0 (GPIO_0)		
CI_A1	CI Interface	CI_A1 (GPIO_1)		
CI_A2	CI Interface	CI_A2 (GPIO_2)		
CI_A3	CI Interface	CI_A3 (GPIO_3)		
CI_A4	CI Interface	CI_A4 (GPIO_4)		
CI_A5	CI Interface	CI_A5 (GPIO_5)		
CI_A6	CI Interface	CI_A6 (GPIO_6)		
CI_A7	CI Interface	CI_A7 (GPIO_7)		
CI_A8	CI Interface	CI_A8 (GPIO_8)		
CI_A9	CI Interface	CI_A9 (GPIO_9)		
CI_A10	CI Interface	CI_A10 (GPIO_10)		
CI_A11	CI Interface	CI_A11 (GPIO_11)		
CI_A12	CI Interface	CI_A12 (GPIO_12)		
CI_A13	CI Interface	CI_A13 (GPIO_13)		
CI_A14	CI Interface	CI_A14 (GPIO_14)		
CI_MCLKI	CI Interface	CI_MCLKI (GPIO_15)		
CI_MIVAL	CI Interface	CI_MIVAL (GPIO_16)		
CI_MISTRTR	CI Interface	CI_MISTRTR (GPIO_17)		
CI_MDIO	CI Interface	CI_MDIO (GPIO_18)		
CI_MDIO1	CI Interface	CI_MDIO1 (GPIO_19)		
CI_MDIO2	CI Interface	CI_MDIO2 (GPIO_20)		
CI_MDIO3	CI Interface	CI_MDIO3 (GPIO_21)		
CI_MDIO4	CI Interface	CI_MDIO4 (GPIO_22)		
CI_MDIO5	CI Interface	CI_MDIO5 (GPIO_23)		
CI_MDIO6	CI Interface	CI_MDIO6 (GPIO_24)		
CI_MDIO7	CI Interface	CI_MDIO7 (GPIO_25)		
CI_D0	CI Interface	CI_D0 (GPIO_26)		
CI_D1	CI Interface	CI_D1 (GPIO_27)		
CI_D2	CI Interface	CI_D2 (GPIO_28)		
CI_D3	CI Interface	CI_D3 (GPIO_29)		
CI_D4	CI Interface	CI_D4 (GPIO_30)		
CI_D5	CI Interface	CI_D5 (GPIO_31)		
CI_D6	CI Interface	CI_D6 (GPIO_32)		
CI_D7	CI Interface	CI_D7 (GPIO_33)		
CI_MDO0	CI Interface	CI_MDO0 (GPIO_34)		
CI_MDO1	CI Interface	CI_MDO1 (GPIO_35)		
CI_MDO2	CI Interface	CI_MDO2 (GPIO_36)		
CI_MDO3	CI Interface	CI_MDO3 (GPIO_37)		
CI_MDO4	CI Interface	CI_MDO4 (GPIO_38)		
CI_MDO5	CI Interface	CI_MDO5 (GPIO_39)		
CI_MDO6	CI Interface	CI_MDO6 (GPIO_40)		
CI_MDO7	CI Interface	CI_MDO7 (GPIO_41)		
GPIO_42	CI POWER CONTROL	CI_POWER_EN		H: ENABLE
GPIO_43	SDIO POWER CONTROL	SDIO_PWR_CTRL		H: ENABLE
GPIO_44/NC0	SYSTEM EEPROM WP	SYSTEM EEPROM WP		H: WP ENABLE
GPIO_45/NC1				
GPIO_46/NC2				
GPIO_47/NC3				

PIN NAME	Function define	GPIO Function	GPIO Number	Action
ADIN0_SRV	Function Select	SCART2_FS0		KEEP LOW
ADIN1_SRV	KEY_PAD	KEY_PAD0		KEY IN
ADIN2_SRV	KEY_PAD	KEY_PAD1		RESERVE
ADIN3_SRV	MHL & CI Over Current Protect	MHL_CI_OC		L:MHL OC
ADIN4_SRV	Headphone Detect	HP_DET		H:HP IN
ADIN5_SRV				
ADIN6_SRV				
ADIN7_SRV	SD Card Detect	SD_DET		L:SD IN

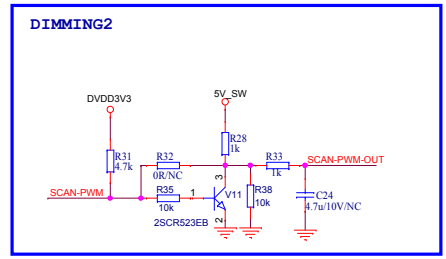
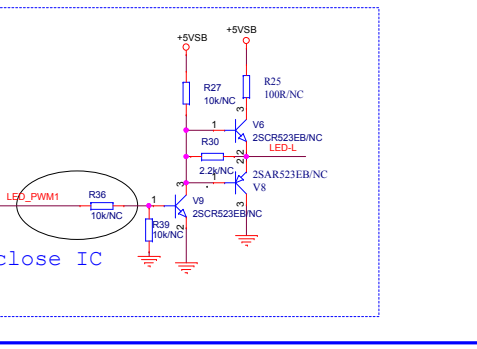
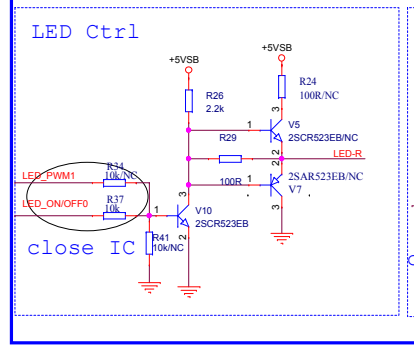
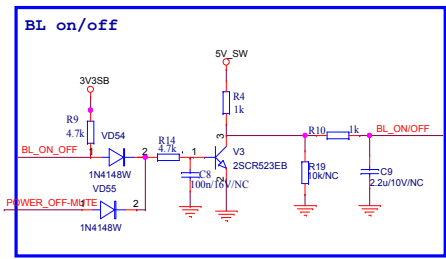
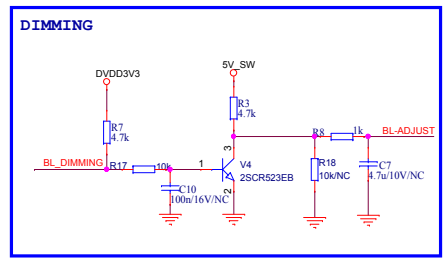
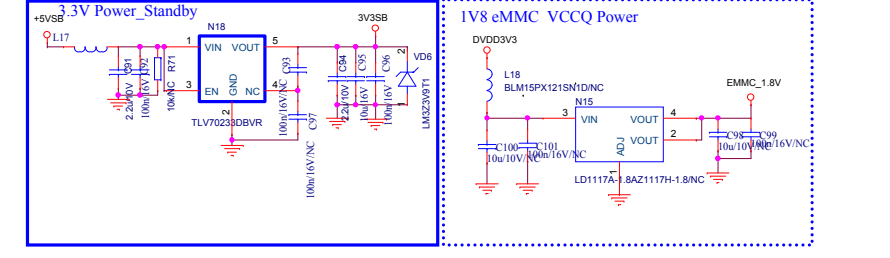
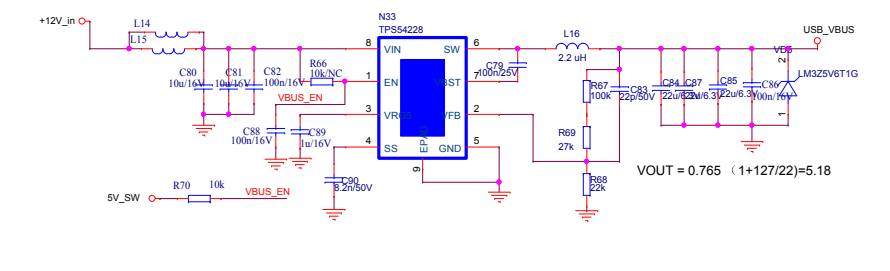
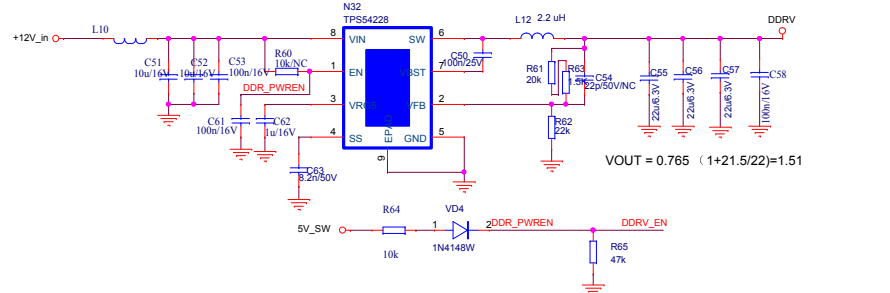
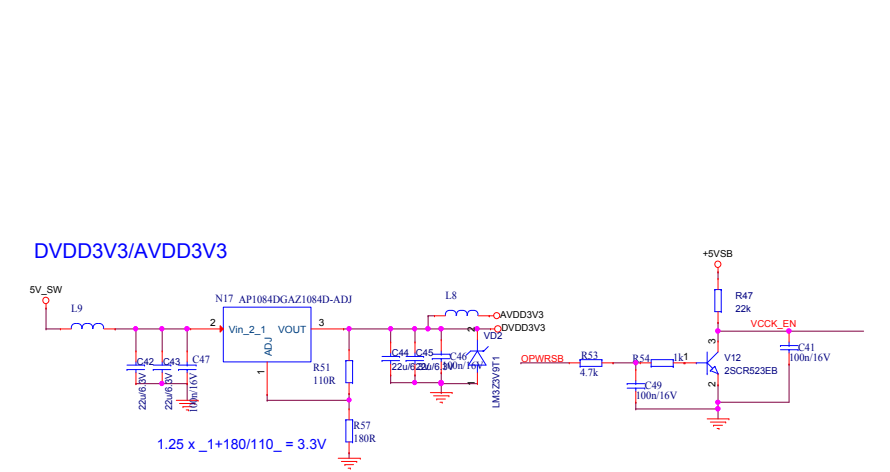
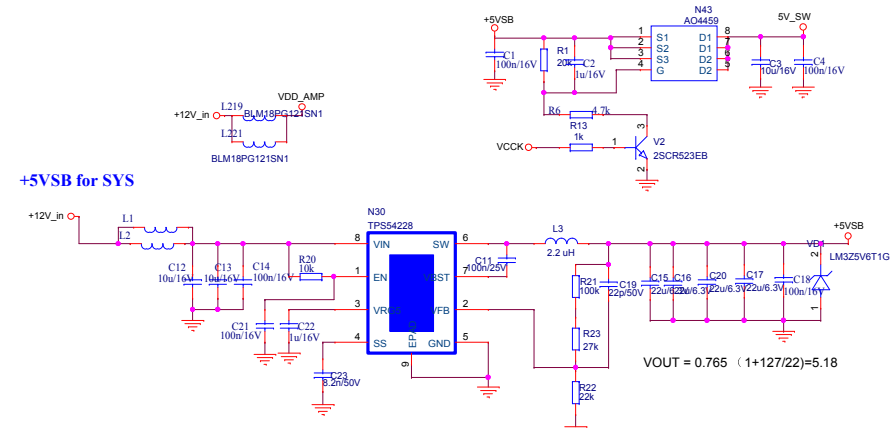
PIN NAME	Function define	GPIO Function	GPIO Number	Action
OPCTRL0	LVDS Power Control	LVDS_PWR_EN		H: ENABLE
OPCTRL1	Backlight Control	BL_ON/OFF		L: ENABLE
OPCTRL2				
OPCTRL3	Strapping	Strap[3]		
OPCTRL4	Audio Mute	AMP_MUTE		H: MUTE
OPCTRL5	AMP RESET	AMP_RST		L: RESET
OPCTRL6	Power On /OFF LED	LED_ON/OFF0		L: LED ON H: OFF
OPCTRL7	LOCAL_DIMMING CTL	LD_EN		RESERVE
OPCTRL8				
OPCTRL9				
OPCTRL10				
OPCTRL11	MHL_PWR_EN	MHL_EN		H: ENABLE
OPCTRL12	DRAM Standby Power Control	DDR_VEN		GPIO KEEP HIGH Z

PIN NAME	Function define	GPIO Function	GPIO Number	Action
LED_PWM0	Strapping	Strap[1]		
LED_PWM1	Strapping / Breath LED	Strap[2] / LED_PWM1		RESERVE

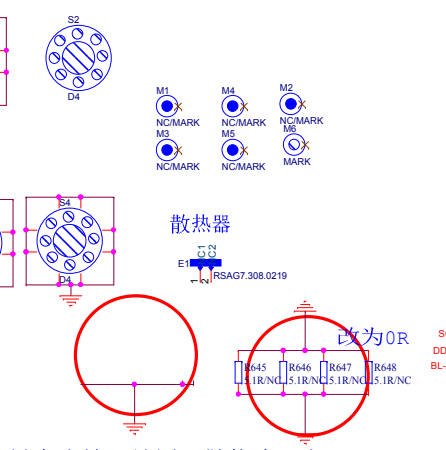
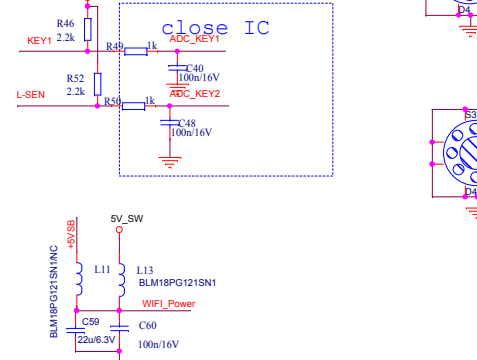
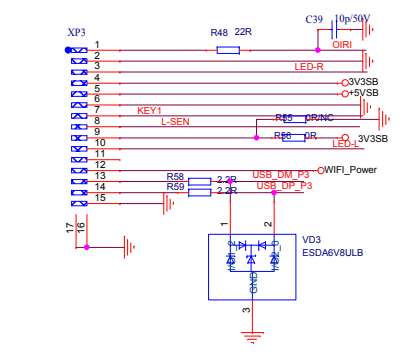
PIN NAME	Function define	GPIO Function	GPIO Number	Action
OPWM0	BACKLIGHT DIMMING2	SCAN_PWM		RESERVE
OPWM1	Backlight DIMMING	BL_DIMMING		
OPWM2				

Different With MTK DEMOBOARD

+5V_SW Power

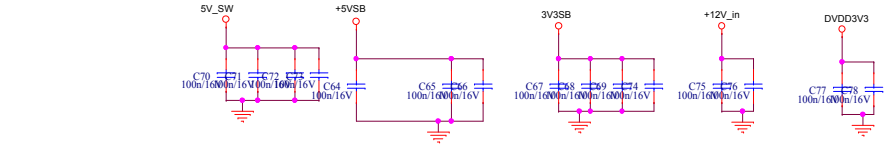


CONNECTOR

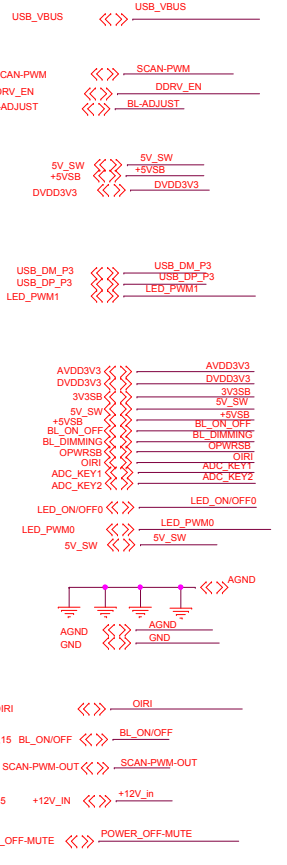
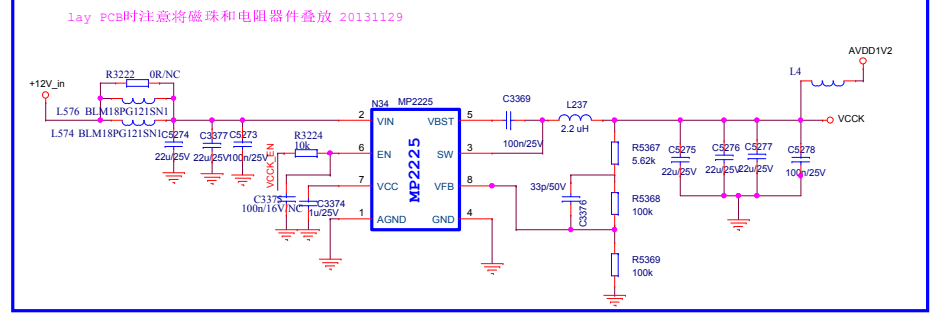


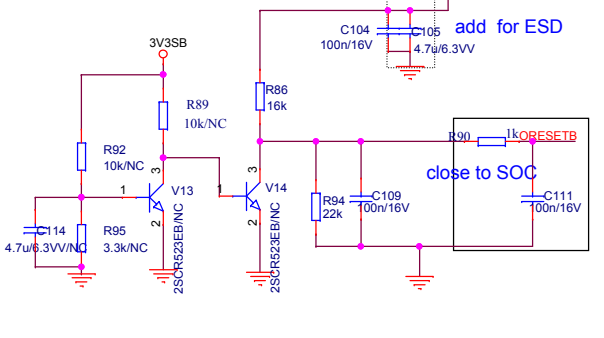
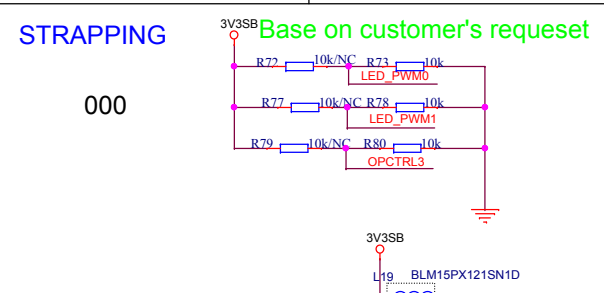
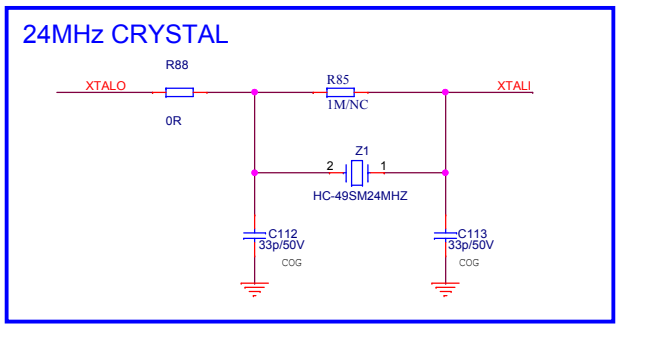
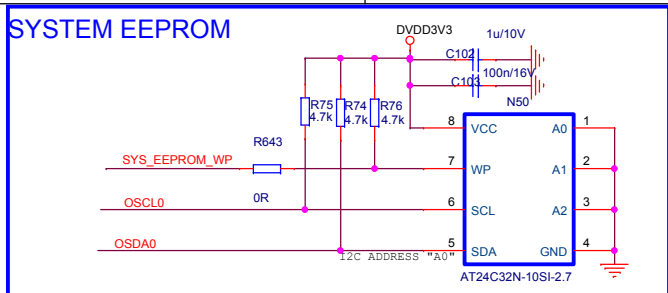
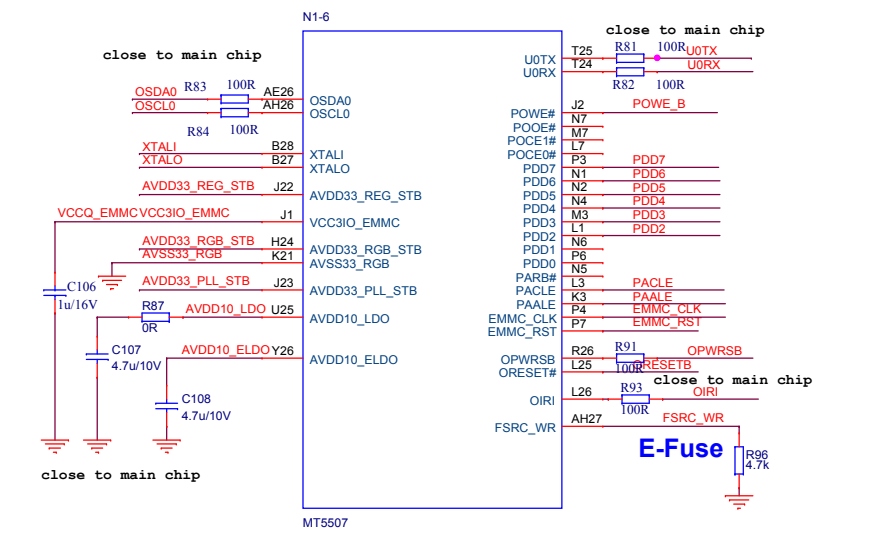
SMD导电泡棉，放置于散热片下方

add for esd

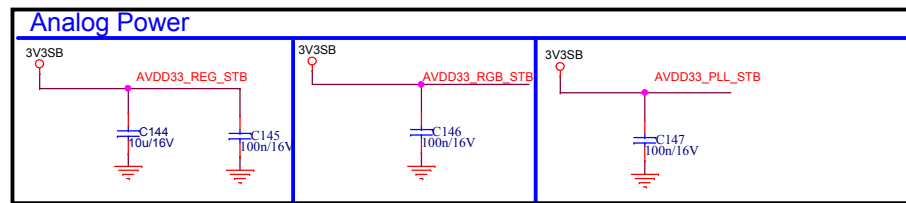
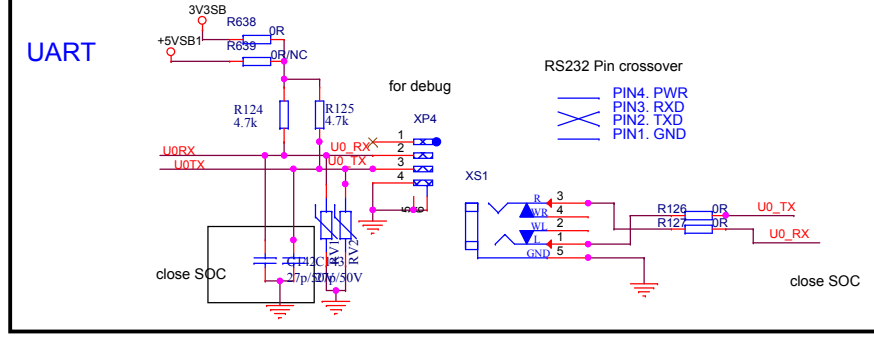
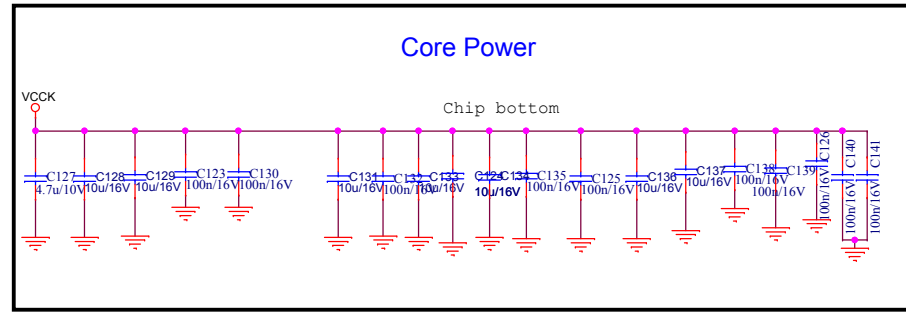
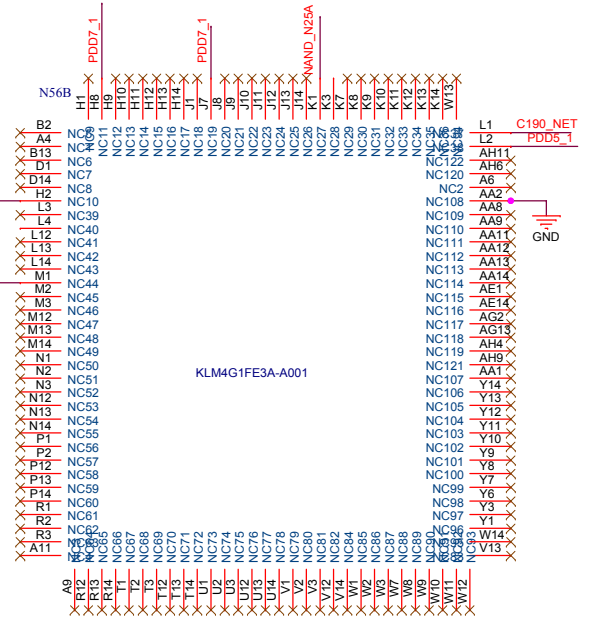
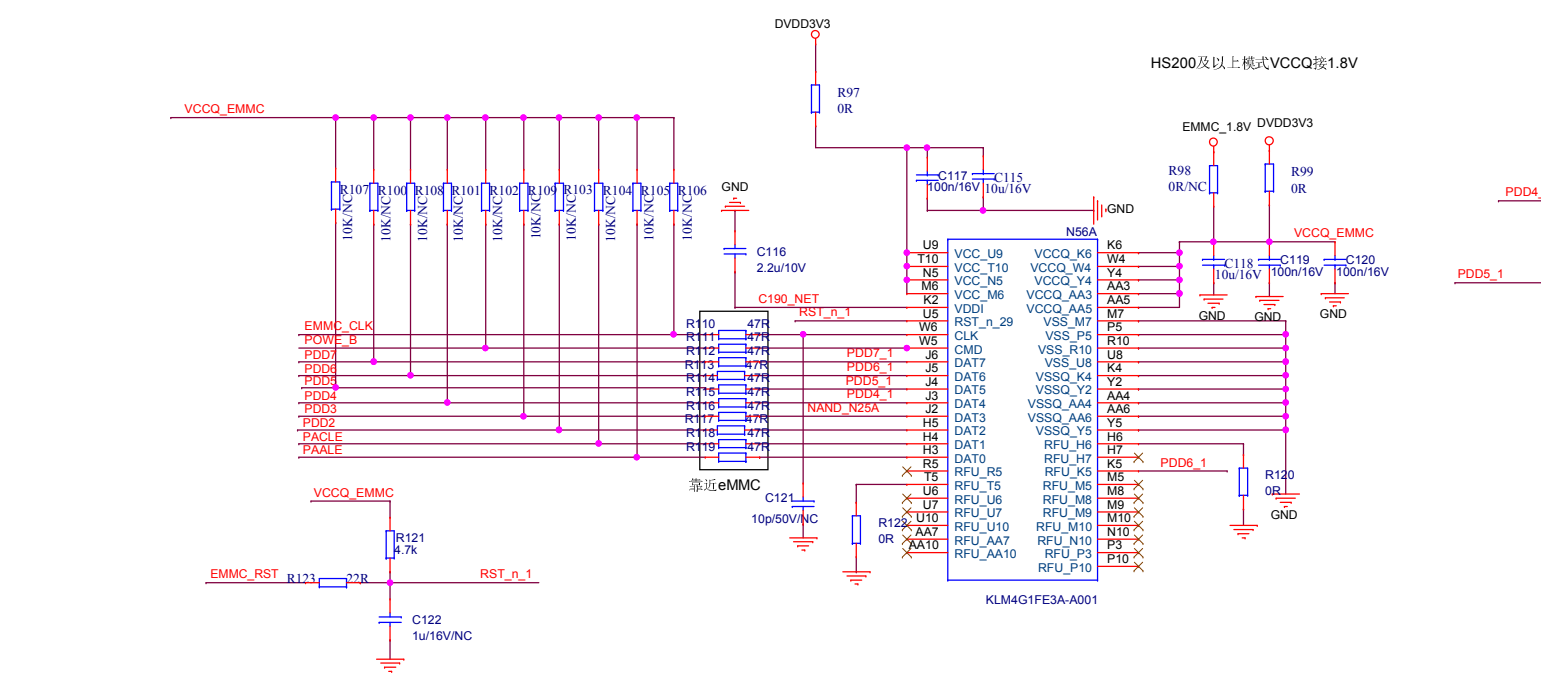
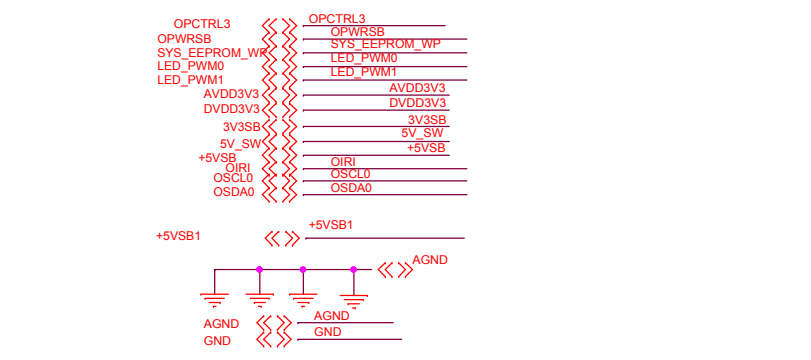


核电更换MP2225

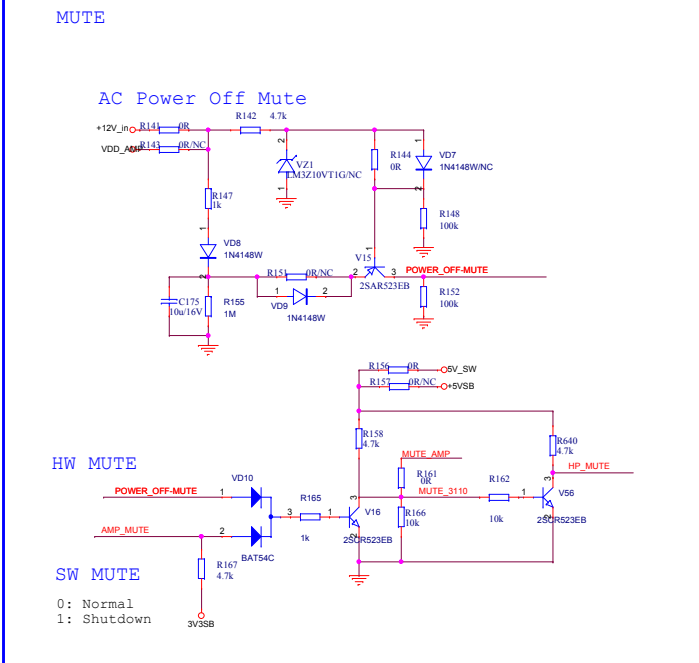
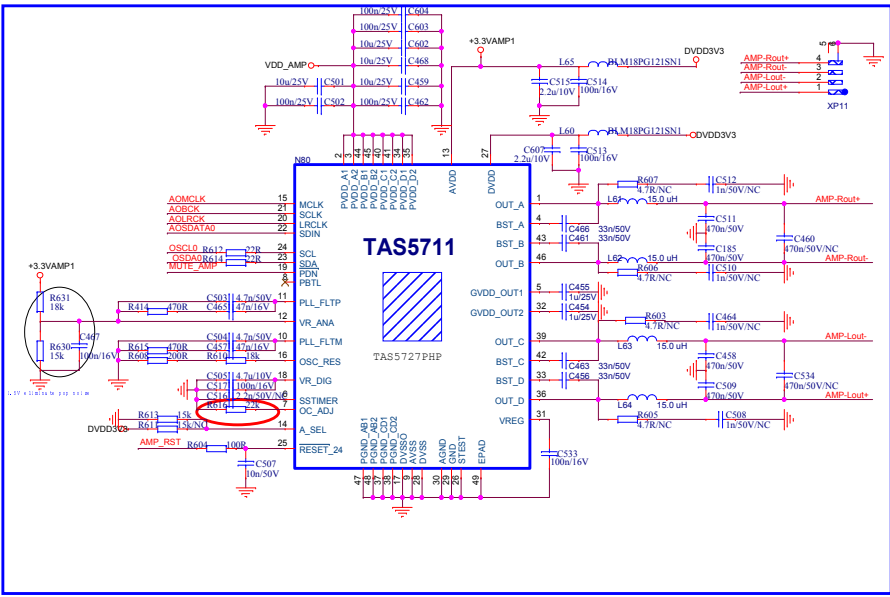
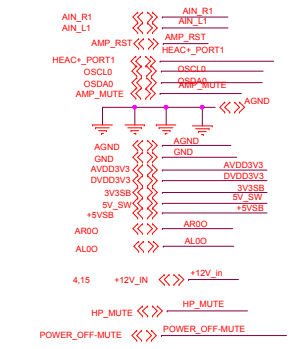
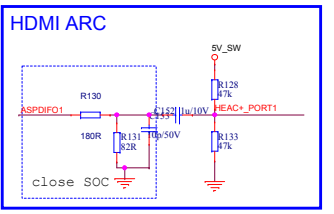
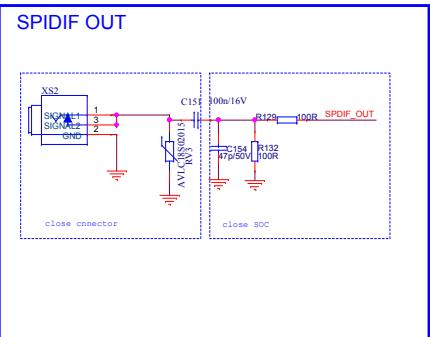
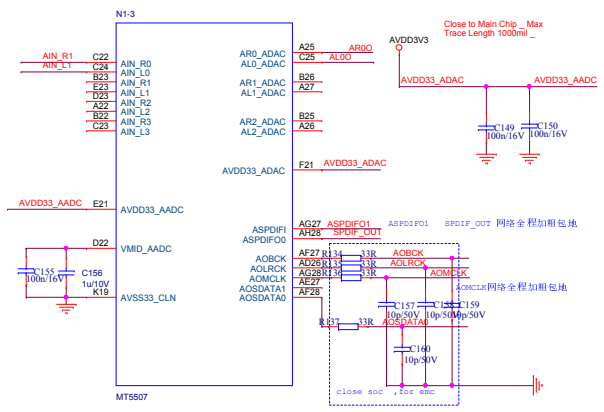




STRAPPING	LED_PWM0	LED_PWM1	OPCTRL3
ICE mode + 24M + serial boot	0	0	1
ICE mode + 24M + ROM to 60bit ECC Nand boot	0	1	0
ICE mode + 24M + ROM to eMMC boot from eMMC pins (share pins w/s NAND)	0	0	0
Boundary scan mode	1	0	0
OLT mode	1	0	1
scan mode	1	1	0
cpu model mode	1	1	1

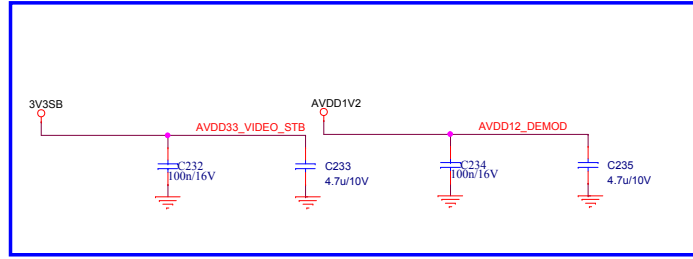
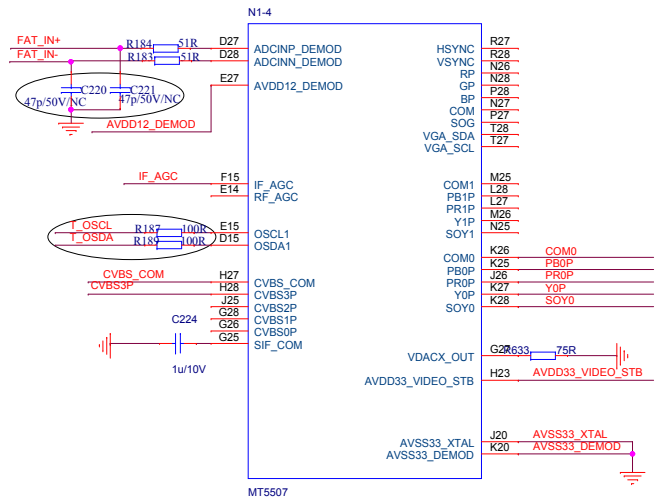


Title	Peripheral		
Size	Document Number	Rev A1	
Customer	MT5507		
Date:	Friday, August 14, 2015	Sheet	5 of 15

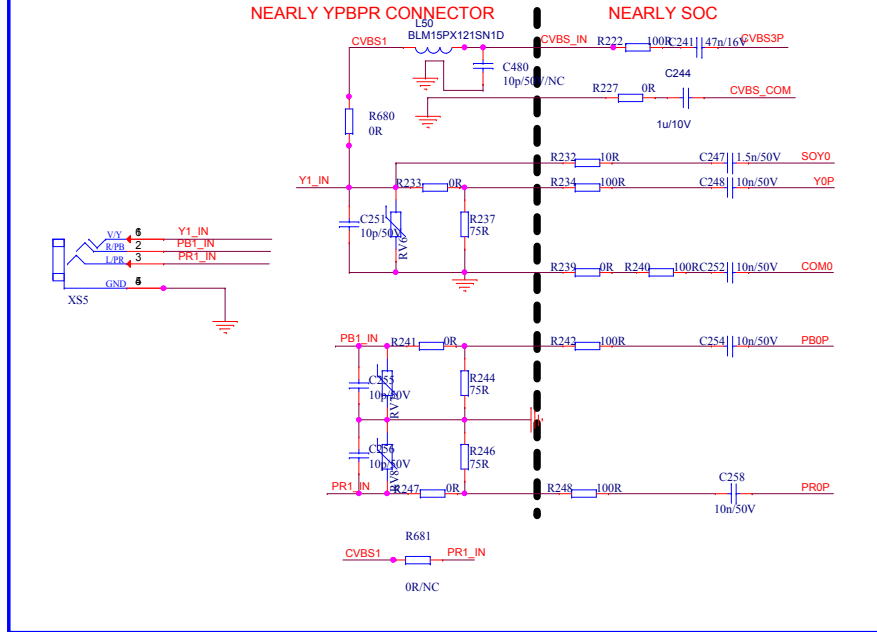


File	Audio A-in / Line-out	
Size	Document Number	Rev
ID	MTS507	A1
Date	Friday, August 14, 2015	Sheet 6 of 16

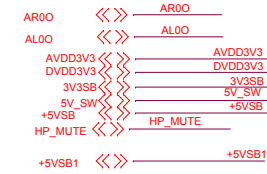
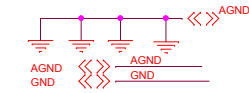
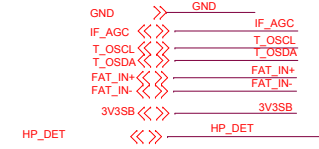
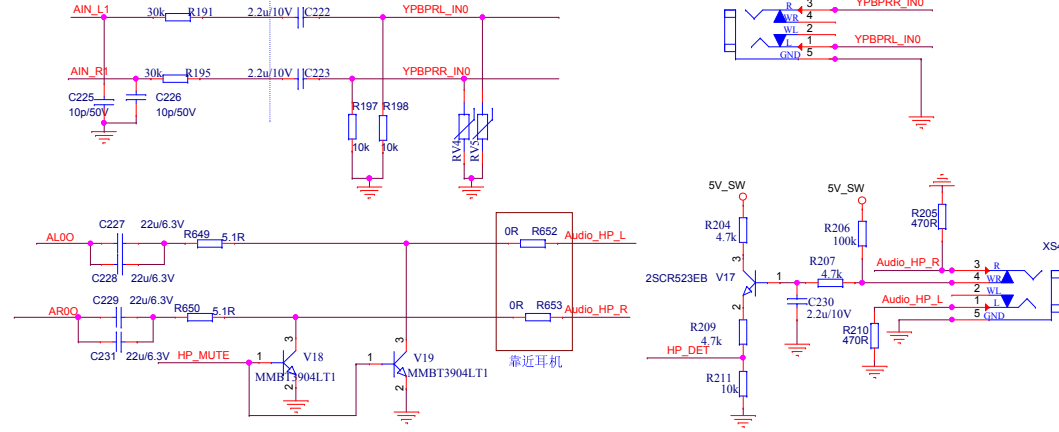
抑制IC输出干扰

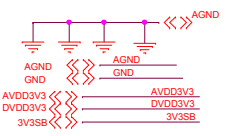
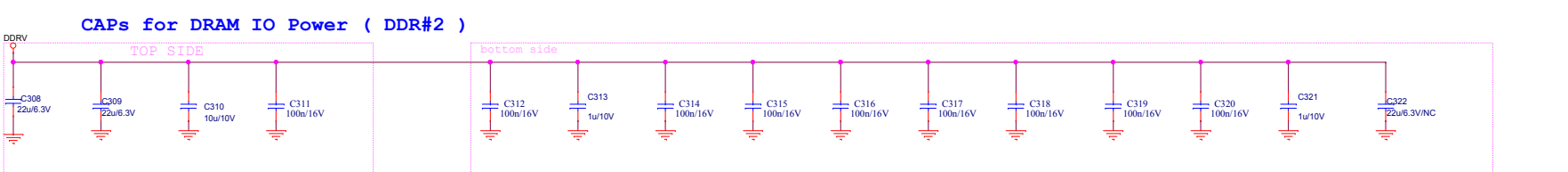
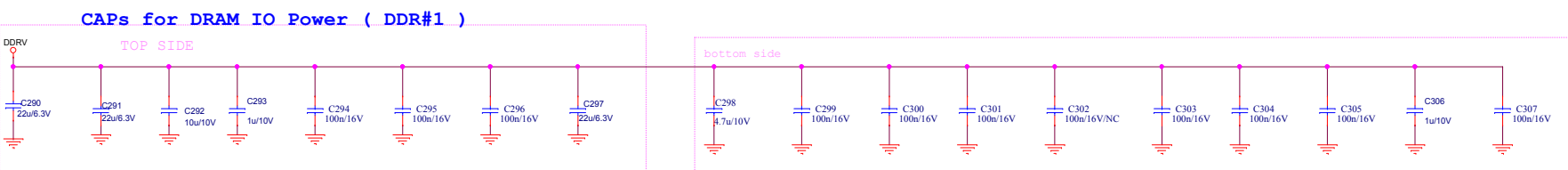
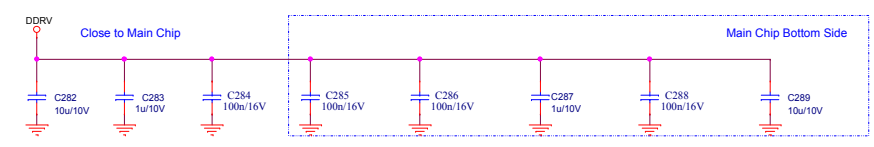
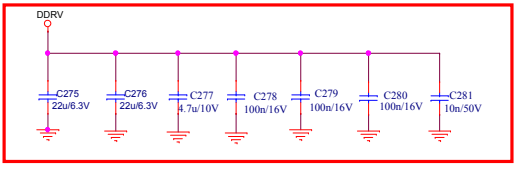
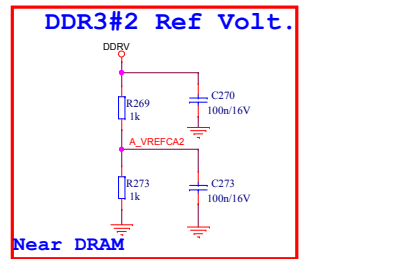
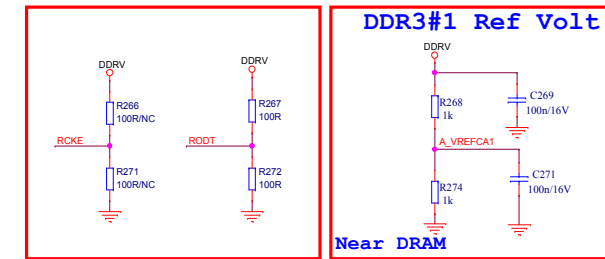
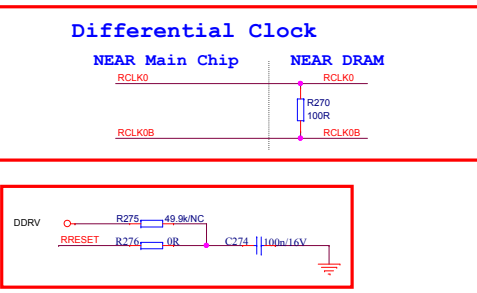
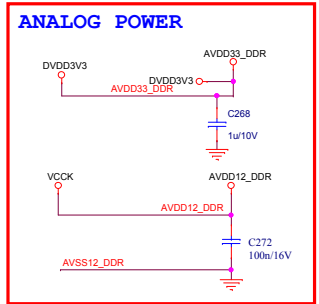
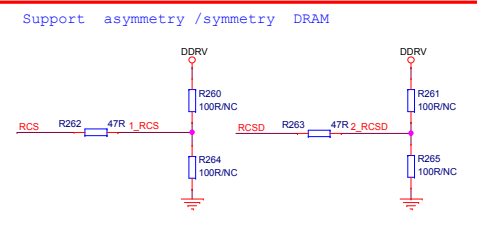
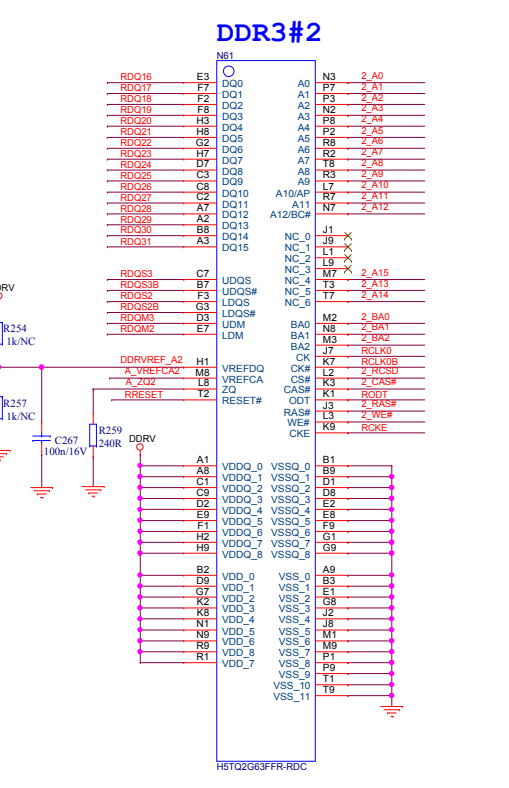
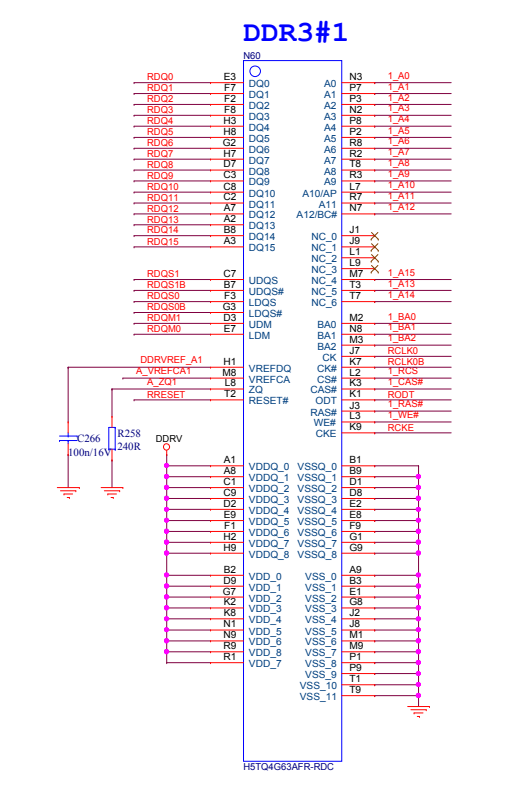
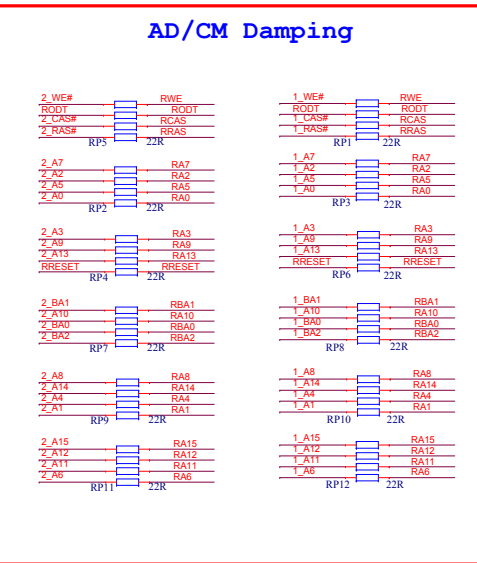
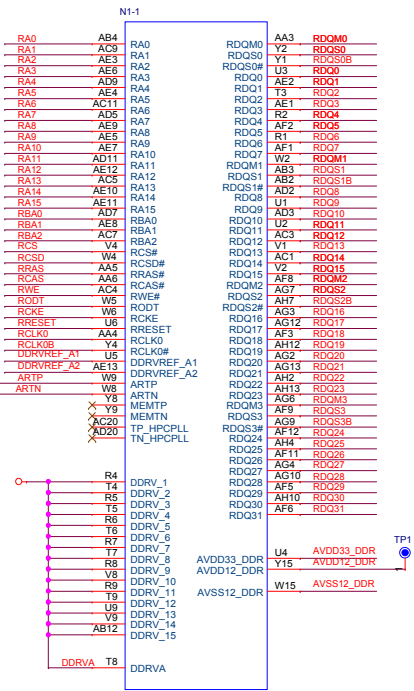


AV/HDTV Input

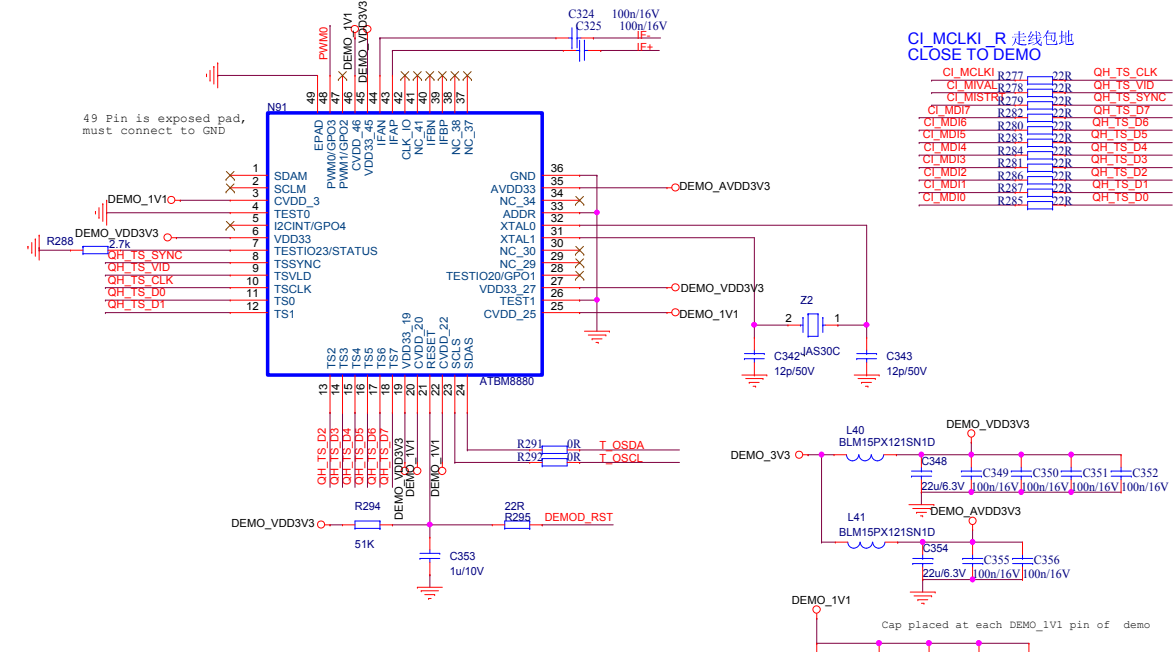
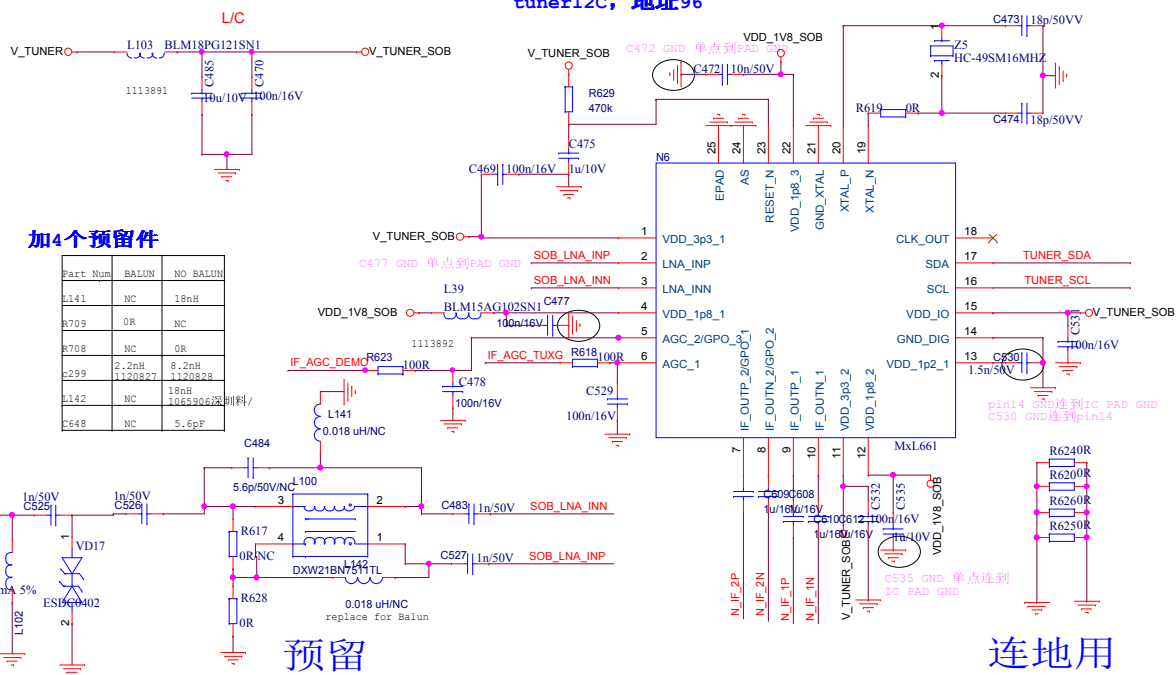


NEARLY IC NEARLY CONNECTOR

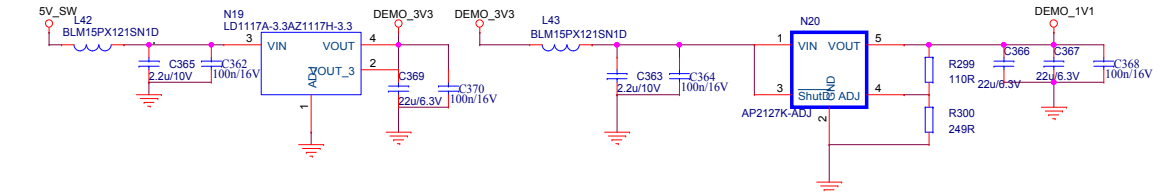




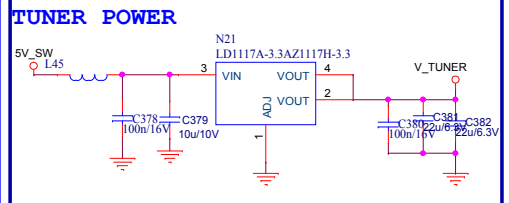
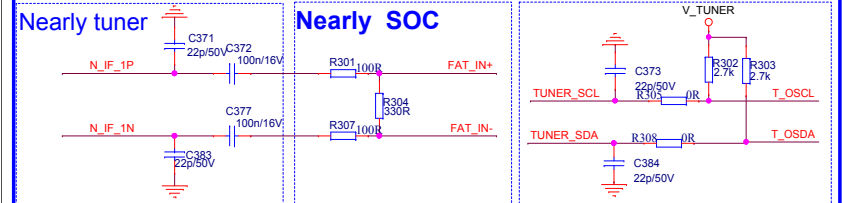
Silicon On Board



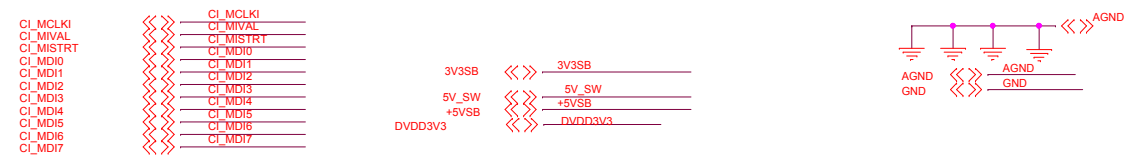
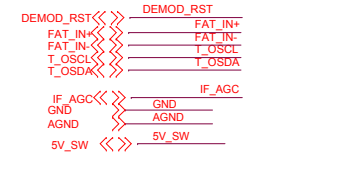
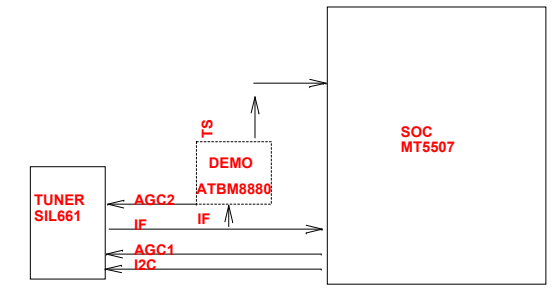
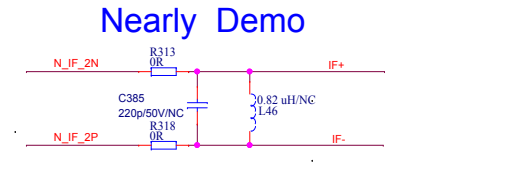
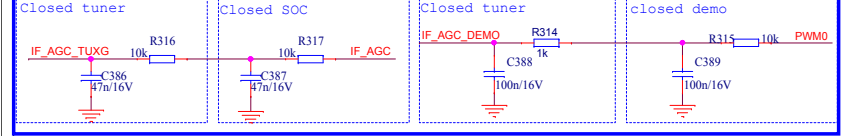
3.3V & 1.1V FOR DEMO.



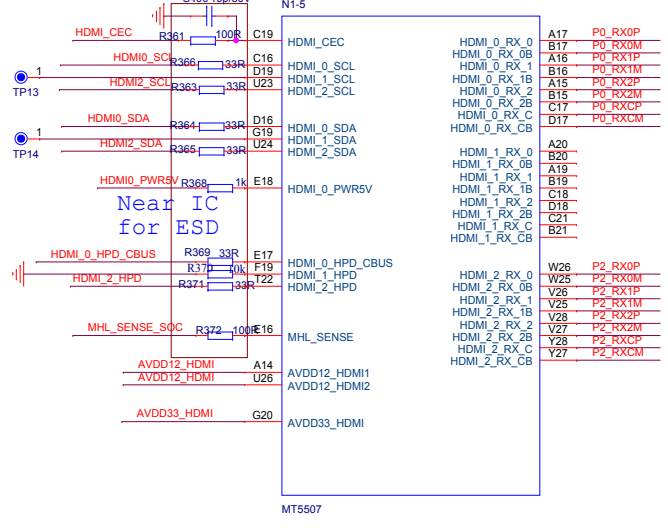
IF 电路



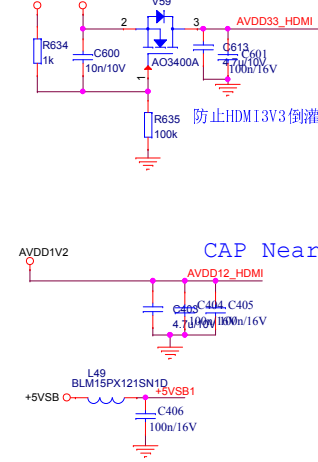
AGC 电路



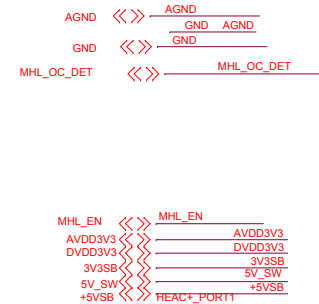
Title		
Demod Connector		
Size	Document Number	Rev
Custom	MT5507	A1
Date:	Friday, August 14, 2015	Sheet 9 of 15



HDMI Power

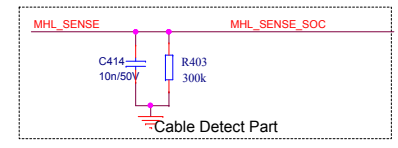
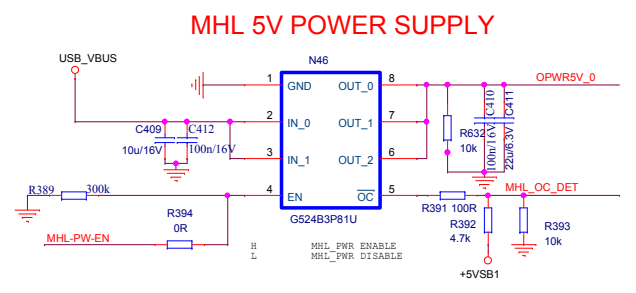
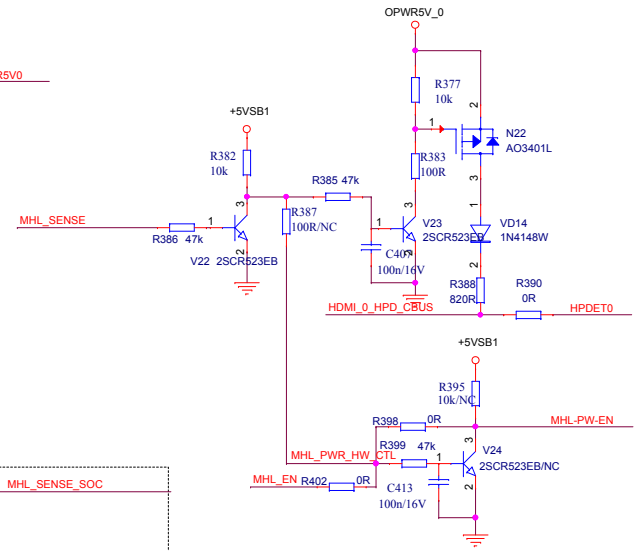
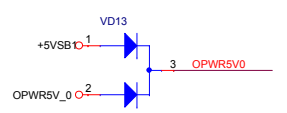
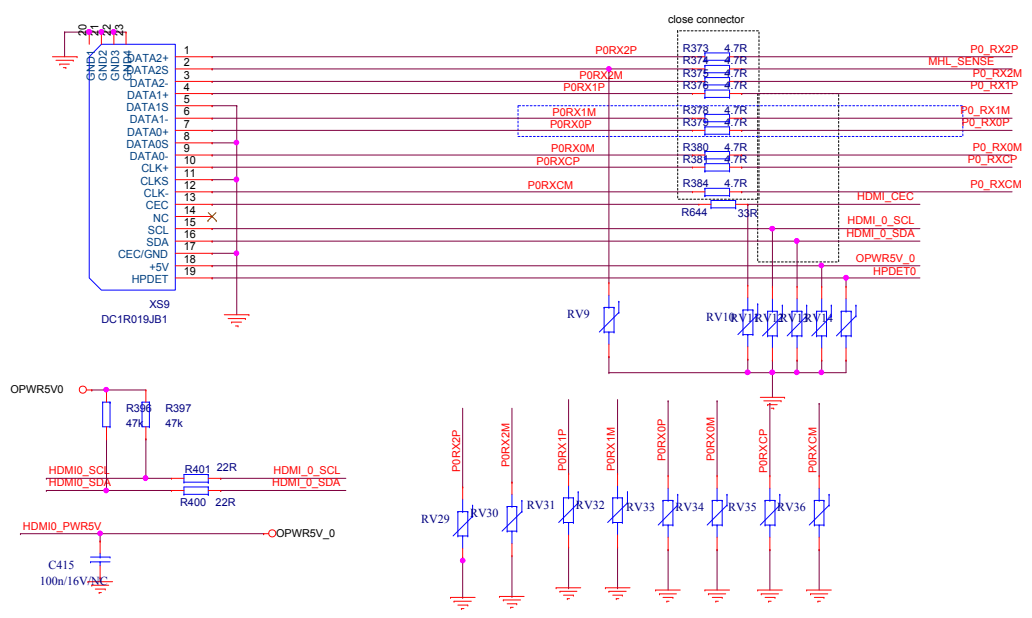


CAP Near IC



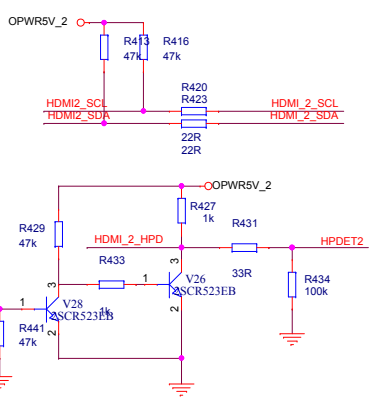
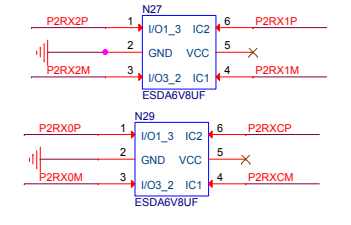
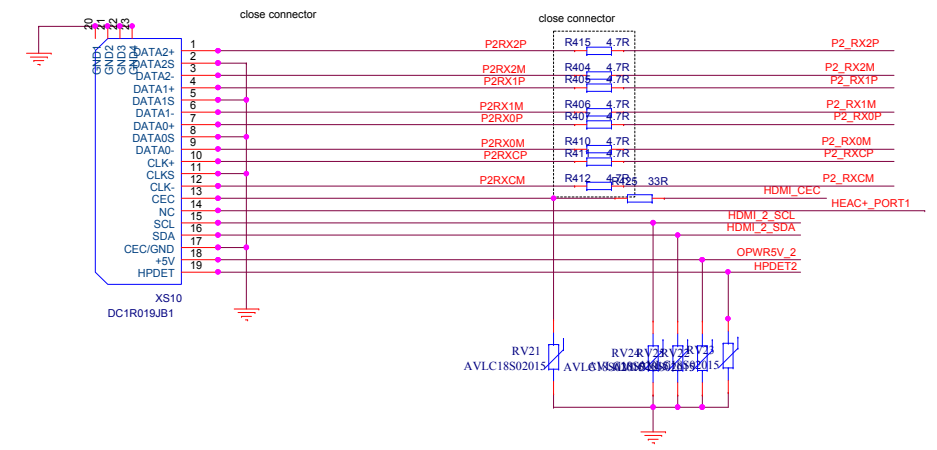
HDMI Port1 (MHL2.0/ CEC)

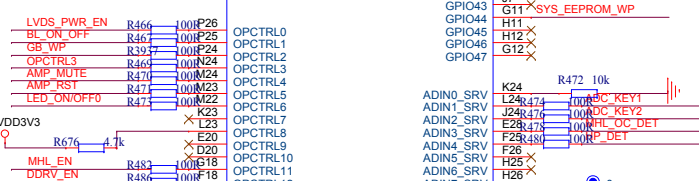
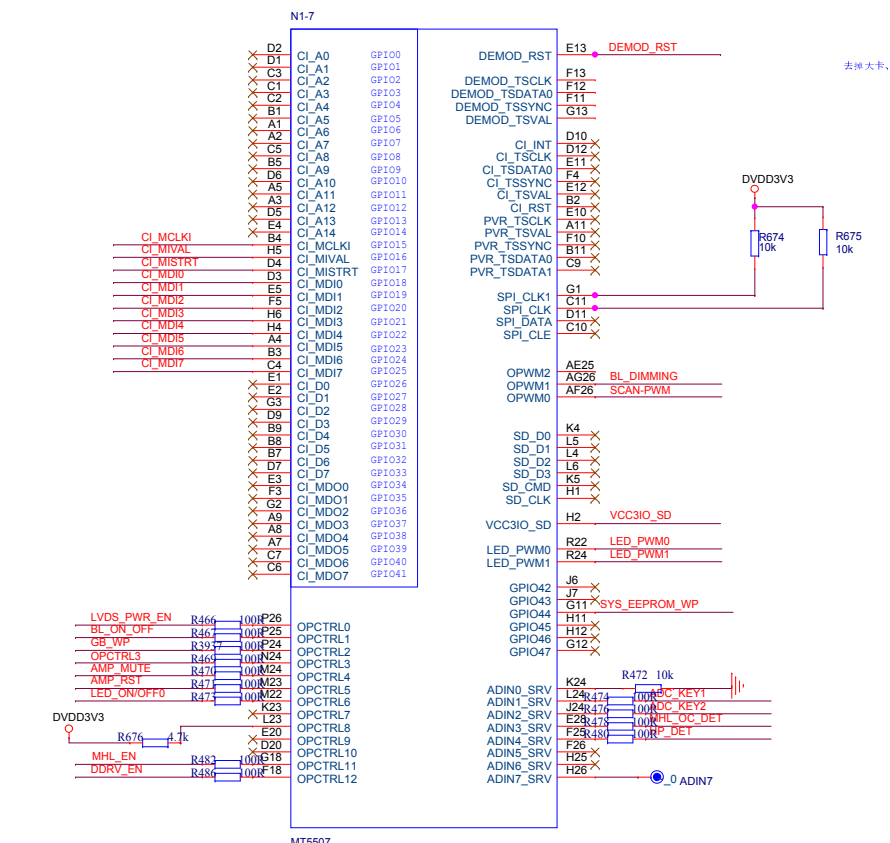
差分对差模阻抗90ohm . P0RX0P P0RX0M差模阻抗90ohm, 共模30ohm



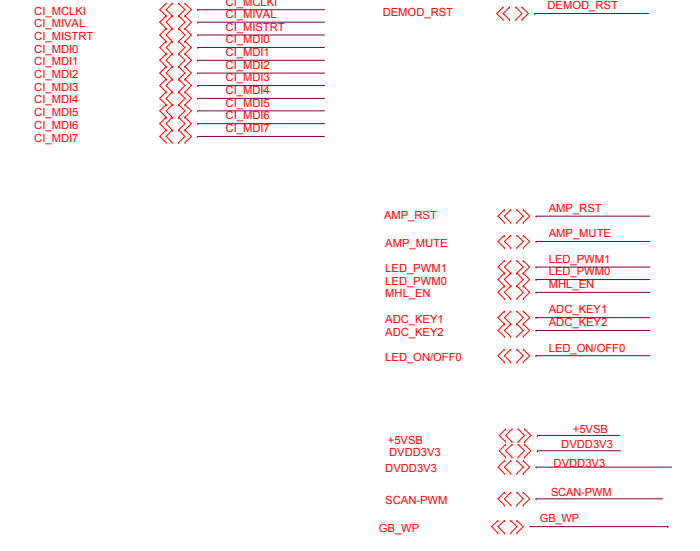
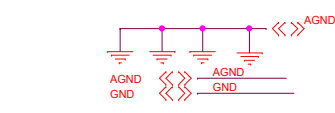
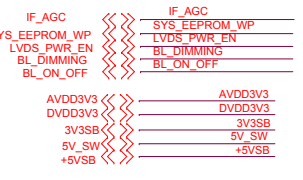
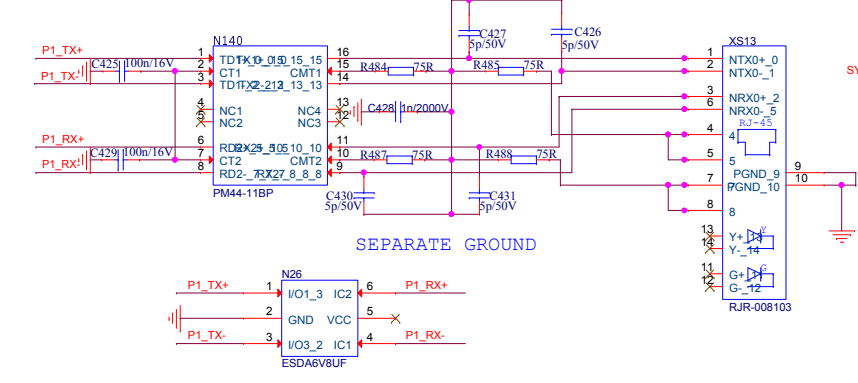
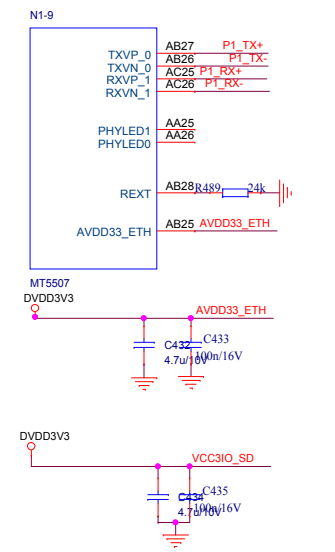
HDMI port 2 (ARC/CEC)

差分对差模阻抗90ohm .

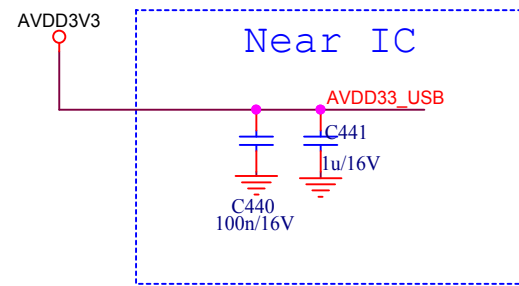
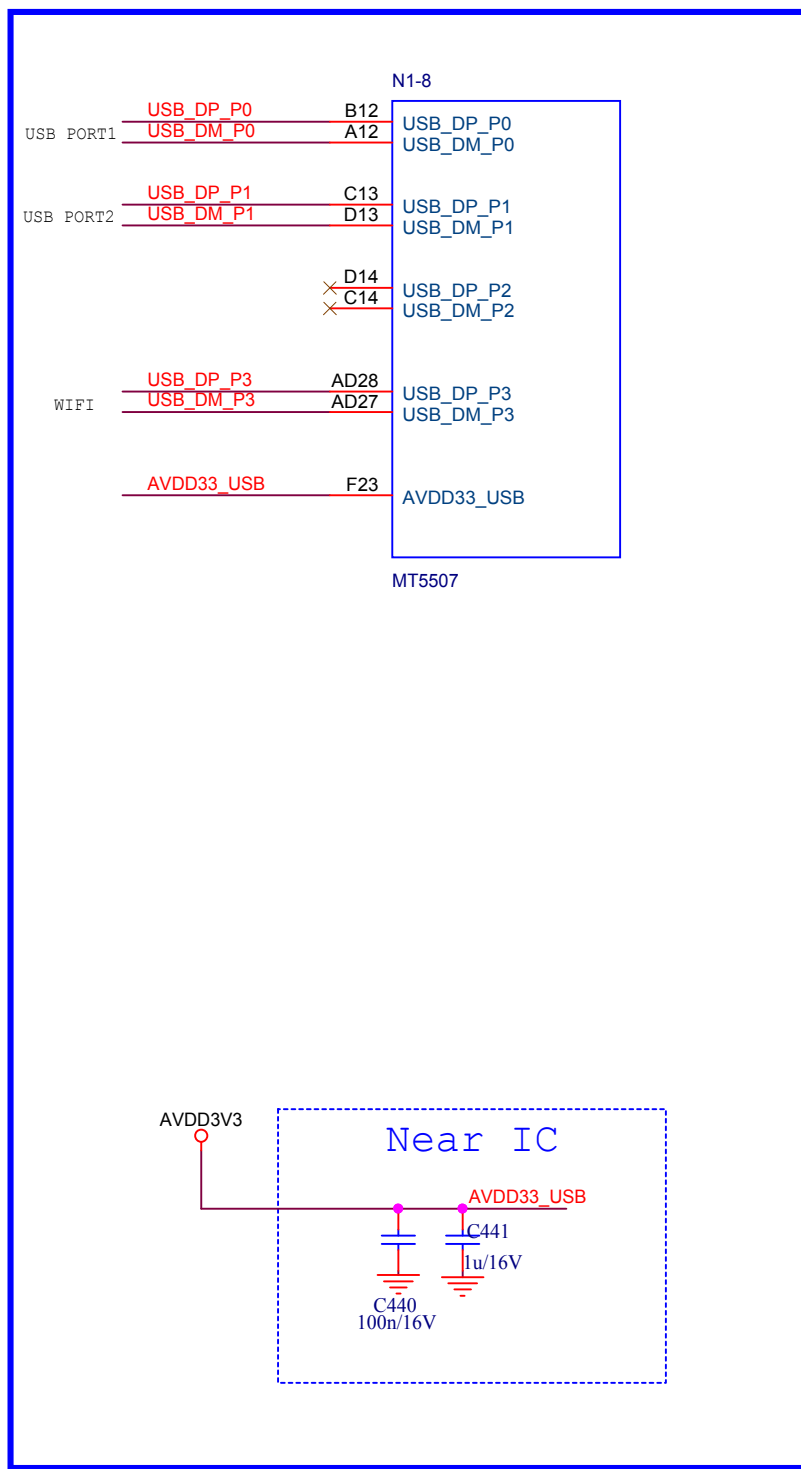




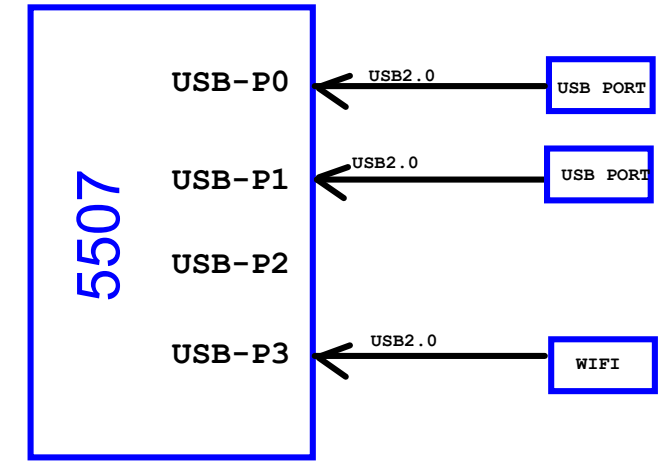
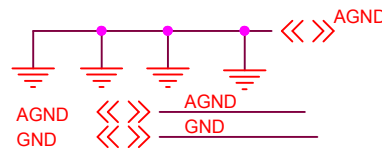
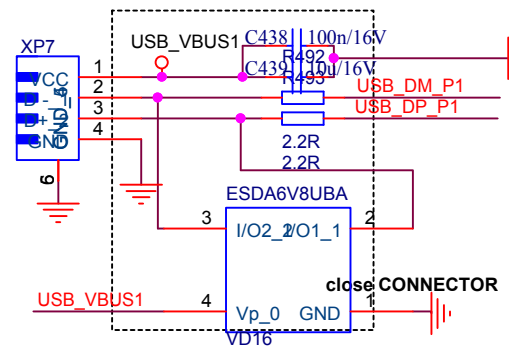
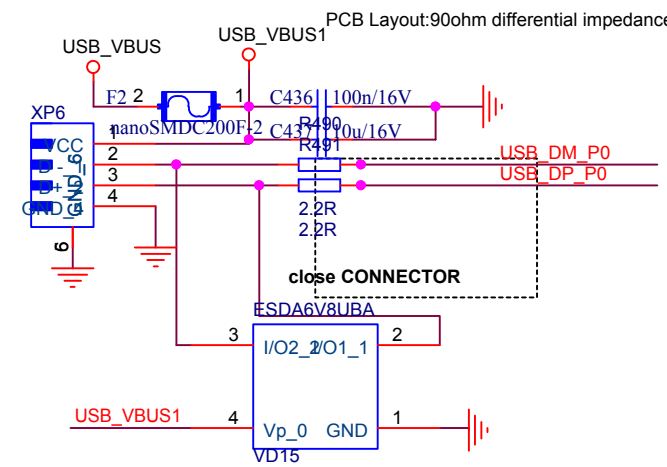
ETHERNET PHY



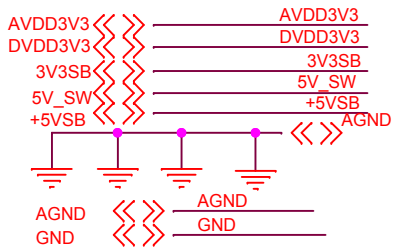
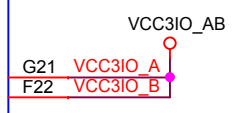
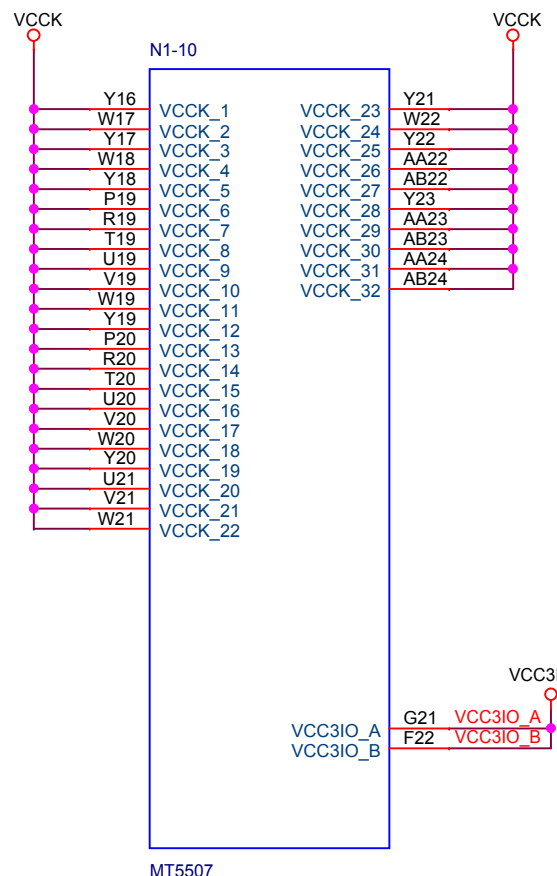
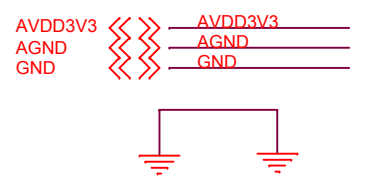
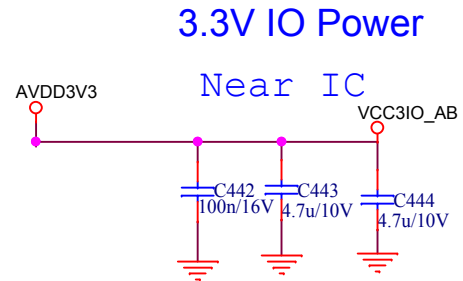
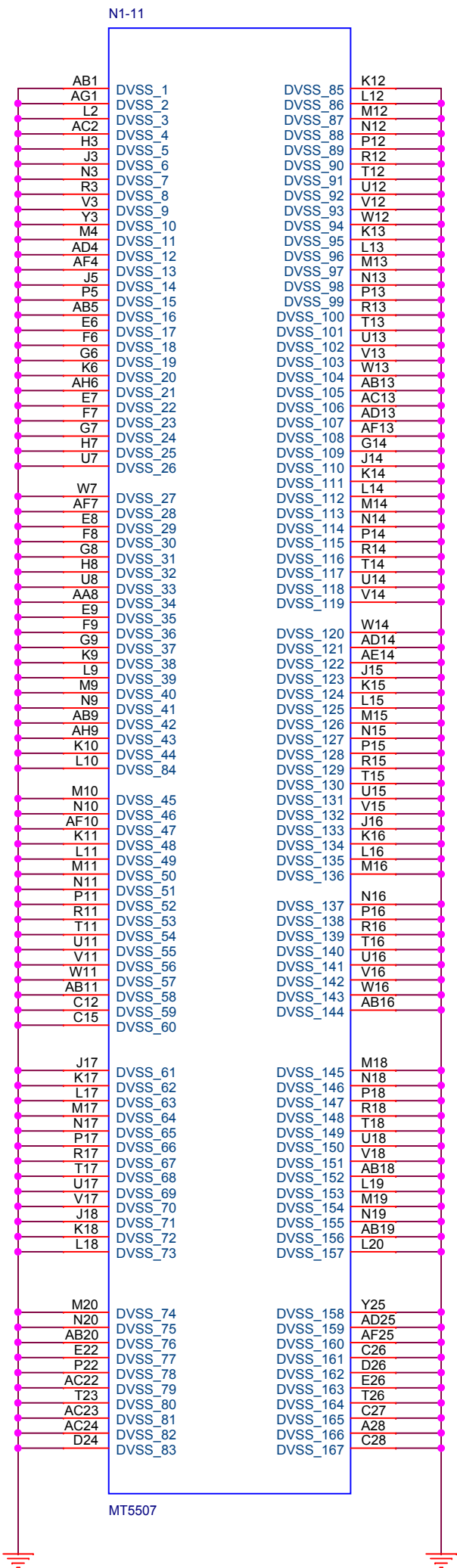
Title: MII/GPIO/ServAD		
Size:	Document Number:	Rev: A1
Customer:	MT5507	
Date:	Friday, August 14, 2015	Sheet 11 of 15



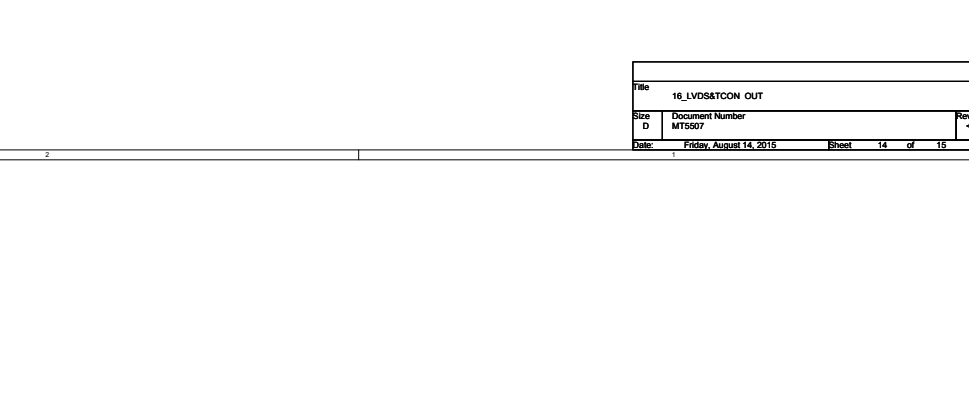
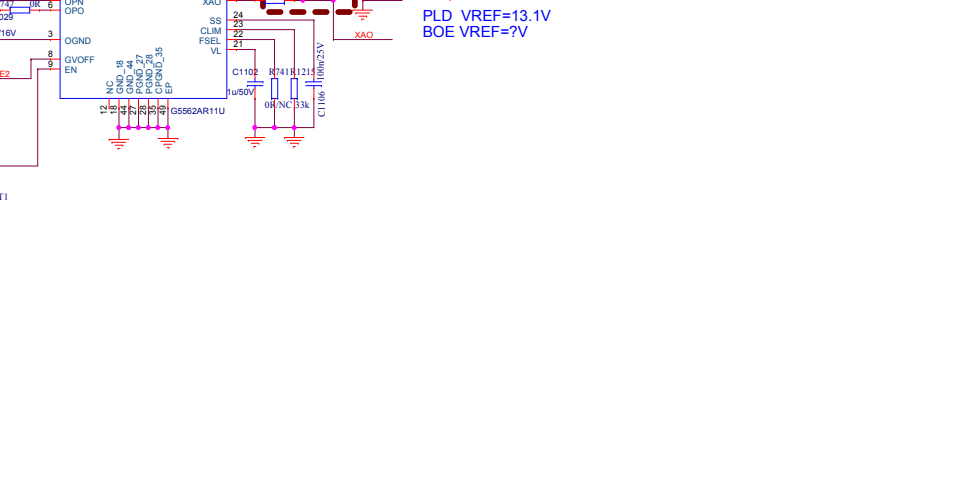
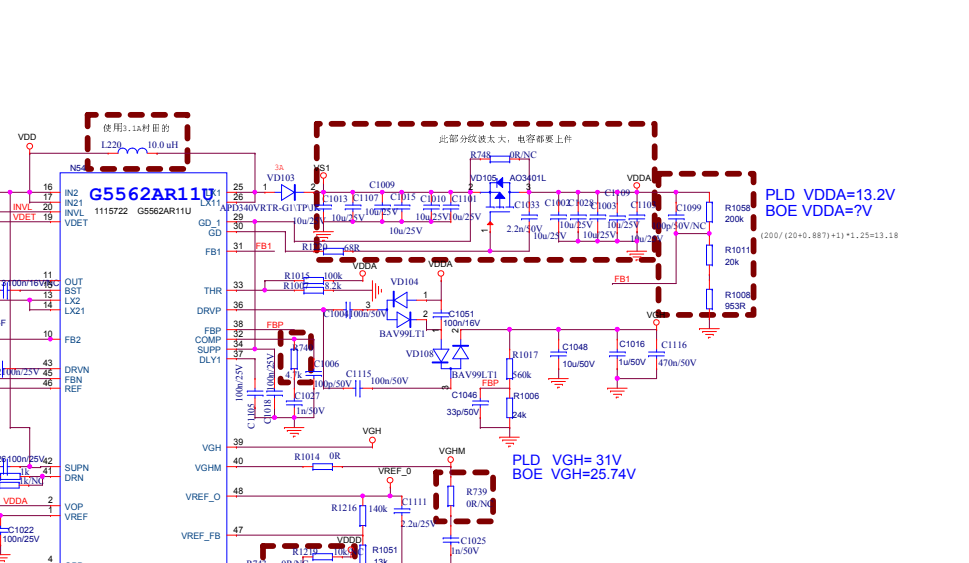
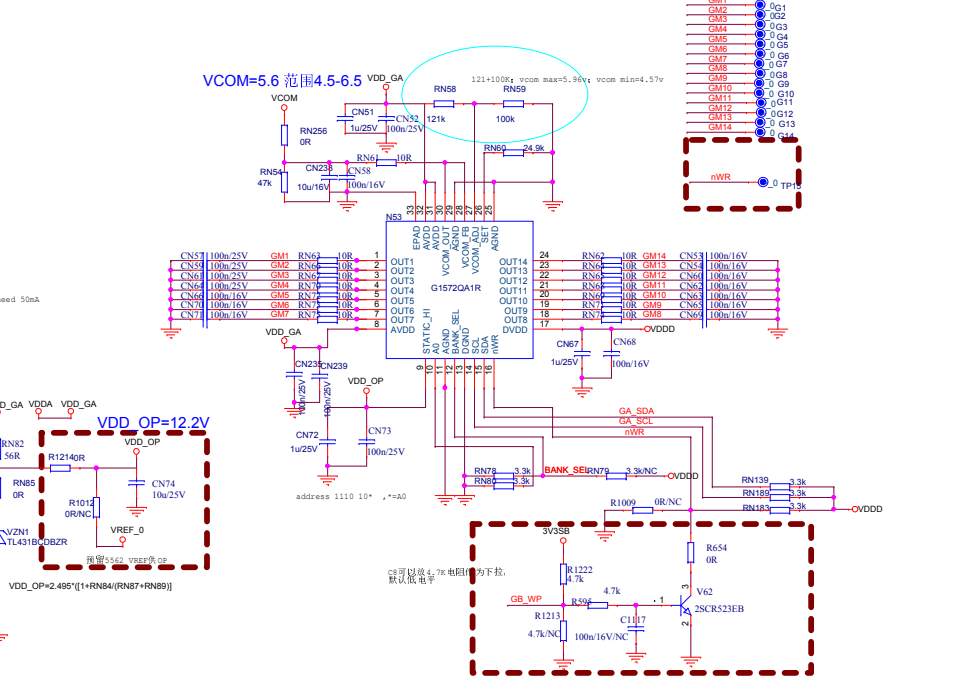
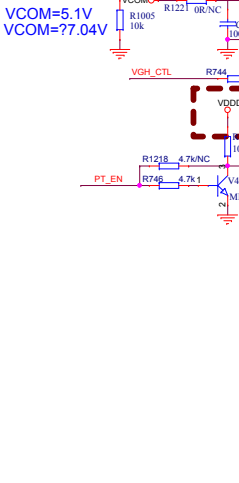
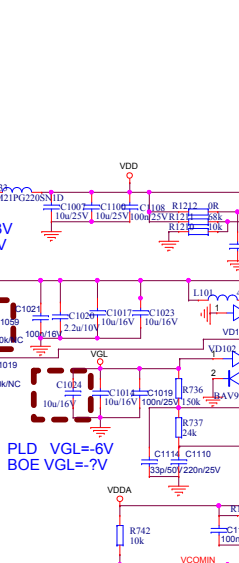
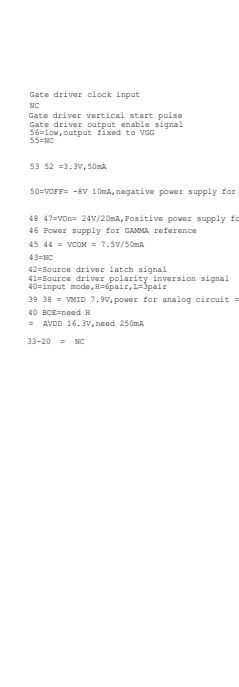
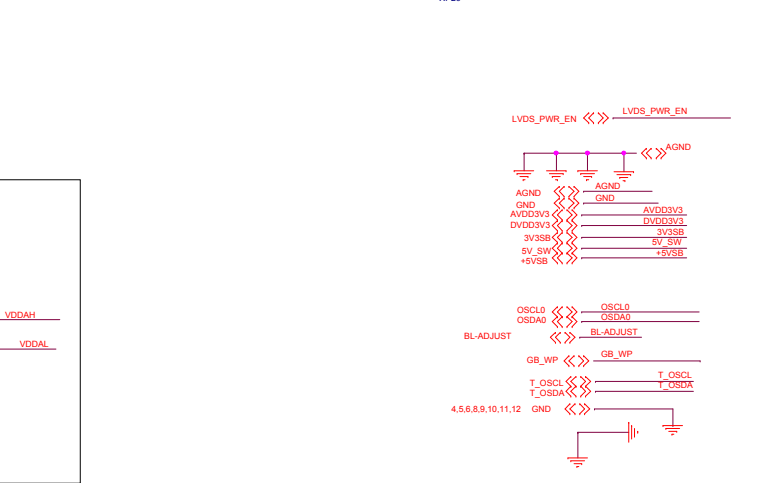
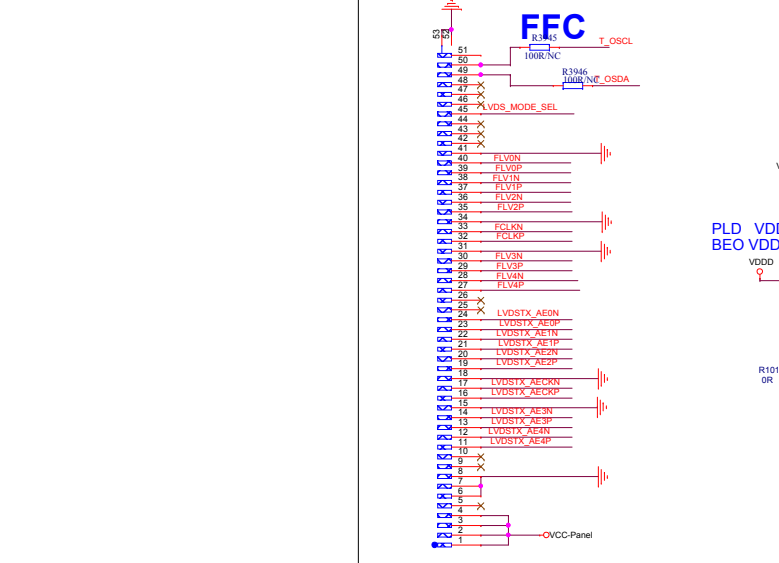
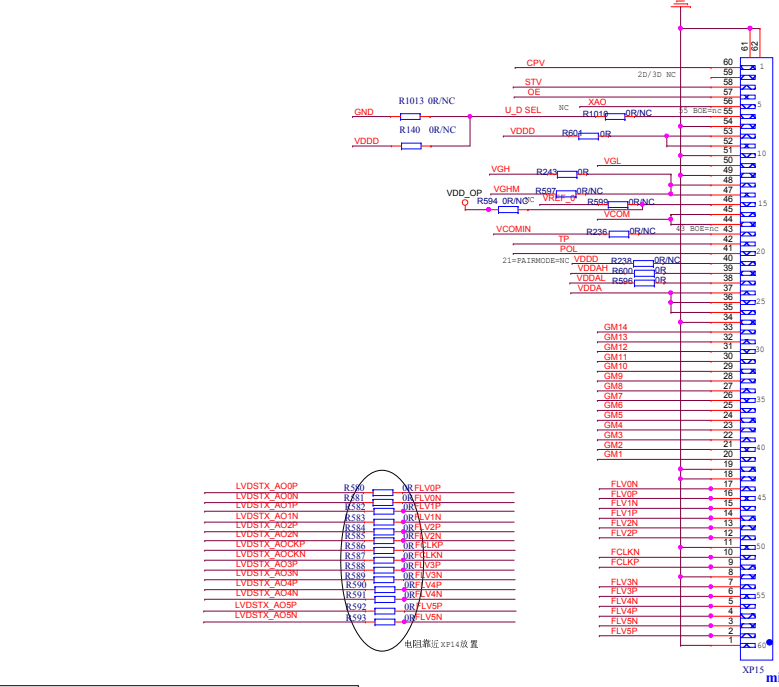
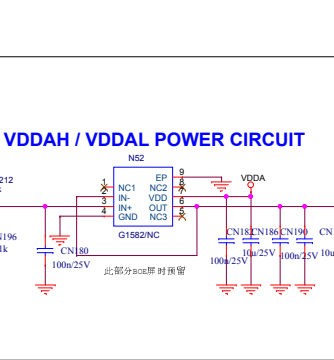
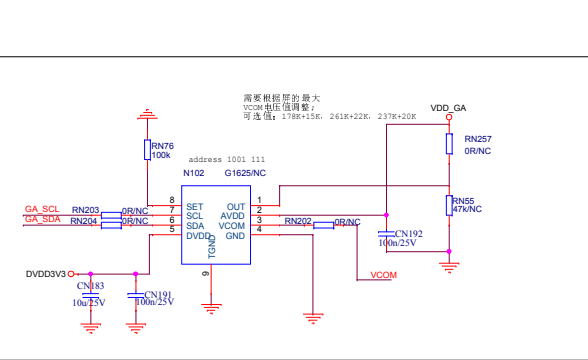
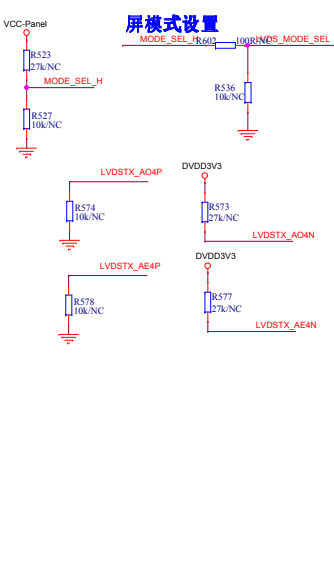
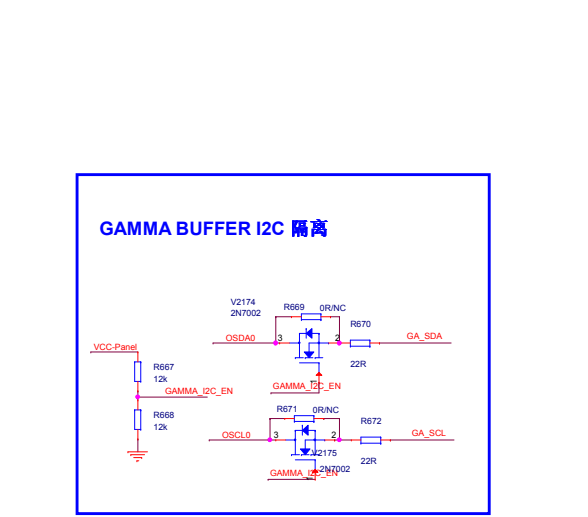
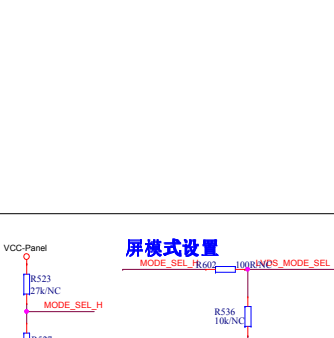
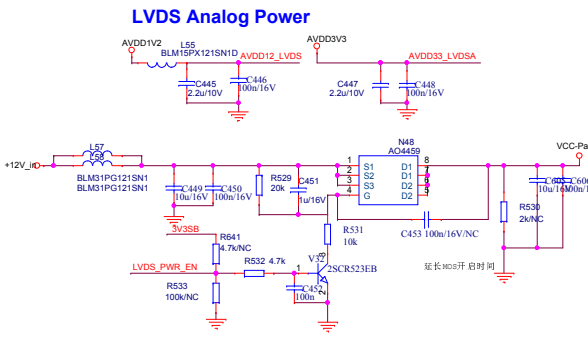
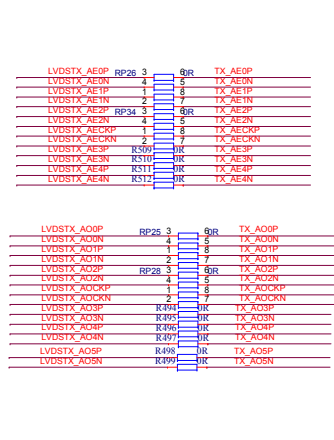
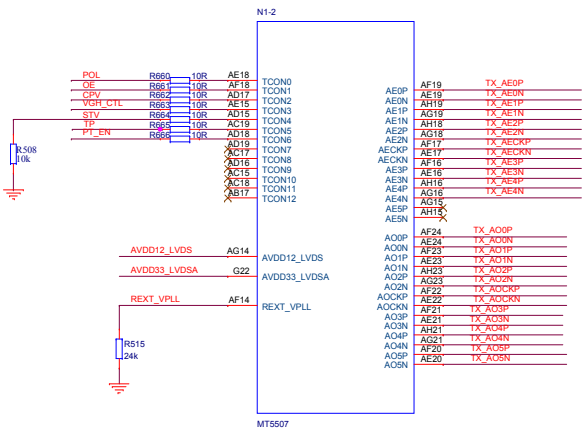
USB2.0



Title		
USB		
Size	Document Number	Rev
B	MT5507	A1
Date:	Friday, August 14, 2015	Sheet 12 of 15



Title		
VCCK & DVSS		
Size	Document Number	Rev
Custom	MT5507	A1
Date:	Friday, August 14, 2015	Sheet 13 of 15



- 1.HDMI2改为背出HDMI端子，VGA改为卧式端子
- 2.增加散热器接地导电泡棉
- 3.tuner to mx1661 amp to tas5711
- 4.删除AVDD/DVDD3V3 IC pin 隔离磁珠
- 5.AMP PVCC增加4个电容，DVDD3V3增加一个2.2UF
- 6.调整DCDC分压 FB电阻形式
- 7.Ypbpr伴音端子改为手插侧出，Spdif端子改为手插侧出，HDMI端子改为侧出，网口改为手插侧出

Title		
Change_list		
Size	Document Number	Rev
B	MT5507	A1
Date:	Friday, August 14, 2015	Sheet 15 of 15